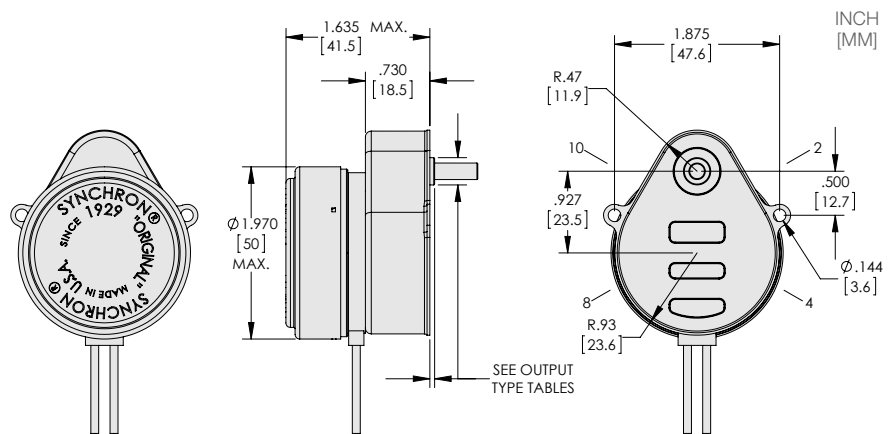


PRODUCT FEATURES:

- Motor Speed: Turns 600 RPM @ 60Hz and 500 RPM @ 50Hz
- Impedence protected coils
- Class B rated for insulation, Class F available as an option
- AC voltage only
- Available coil wattage 3W at all fractional RPH speeds
- Starting torque rated at 20 in-oz
- Voltages from 12V to 277V available
- Available in clockwise or counter-clockwise rotation
- Speeds from 10 revolutions per day to 1 revolution per week available
- Wide selection of output option offerings
- Connector/terminals available
- Available with operational 1-way clutch for resetting or 2-way clutch for gear train protection, in all speeds using this mount

TYPICAL APPLICATIONS:

- Damper Controls
- Clocks
- Valve Controls
- Mechanical Timers
- Time Stamps
- Chart Recorders
- POP Displays



STANDARD OPTIONS AVAILABLE:

*SHAFT ROTATION	VOLTAGE	SPEED	OUTPUT TYPE
CW	24	1/168 RPH	See Output Selection Tables
CCW	110	1/24 RPH	
	220	1/4 RPH	
	**	**	**

* Rotation when looking at shaft

** Other Options Available - Consult Factory

600 Series

(Deep Pear Shaped Gearbox)

Synchron K Mount



PERFORMANCE

GEARTRAIN	SPEED @ 60 HZ		3 WATTS
			STARTING TORQUE (RATED VOLTAGE)
RATIO:1	REV/DAY	REV/WEEK	IN-OZ
108,000	8		20
144,000	6		20
288,000	3		20
432,000	2		20
864,000	1		20
3,024,000		2	20
6,048,000		1	20

Custom Shafts



Lead Orientations



600 SERIES MOTOR OPTIONS

INCH
[MM]

