

**STANDARD FEATURES:**

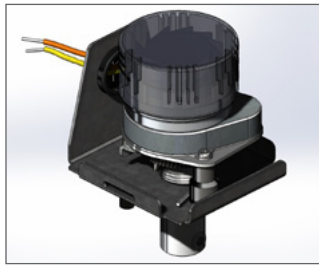
- Actuator Mounting: Set-screw clamping to 5/16 inch diameter damper shaft and anti-rotation pin as shown
- Actuator Rotational Travel: 90 degrees (open to close position)
- Actuator Electrical Connection: Two wire, single phase

**OPTIONAL FEATURES:**

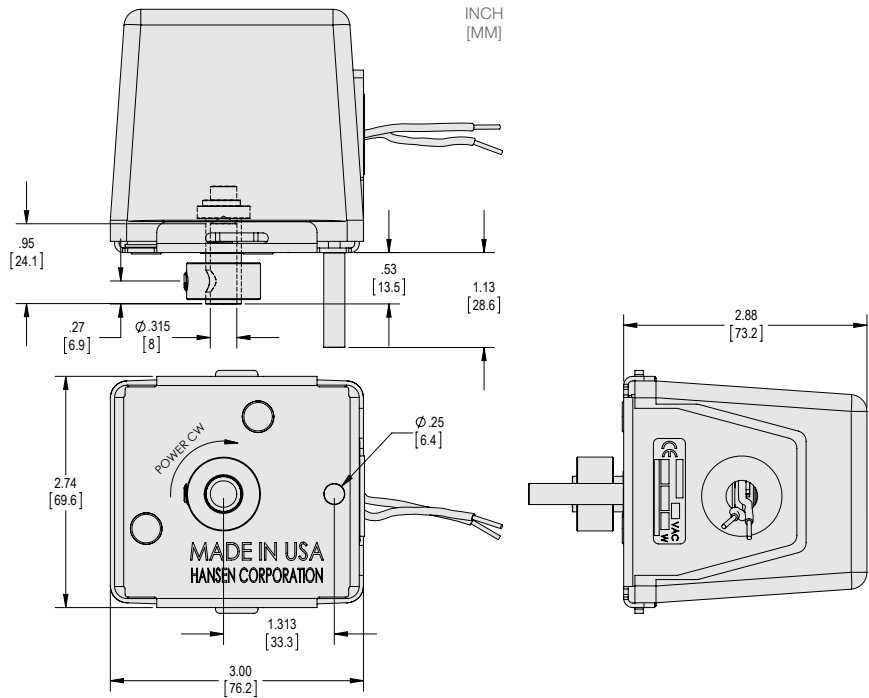
- Alternate springs for higher or lower return forces
- Alternate gear ratios for faster/slower actuation times
- Available with soft finish spring for maximizing life in low friction applications or strong return spring for higher friction applications
- Available in 50 or 60Hz

**TYPICAL APPLICATIONS:**

- HVAC Dampers
- Material Dispensing



Series 135-6



**PERFORMANCE**

PART NUMBER	AC INPUT	POWER INPUT	POWER ROTATION	POWER START	POWER FINISH	OPEN TIME	SPRING START	SPRING FINISH	CLOSE TIME
	VOLTS	WATTS	DIRECTION	IN-OZ	IN-OZ	SEC	IN-OZ	IN-OZ	SEC
135-6-1	24/60	6	CW	90	45	30	45	15	8
135-6-3	120/60	6	CW	90	45	30	45	15	8