

STANDARD FEATURES:

- High starting torque
- Class B rated
- Reversible
- Stainless steel output shafts

OPTIONAL FEATURES:

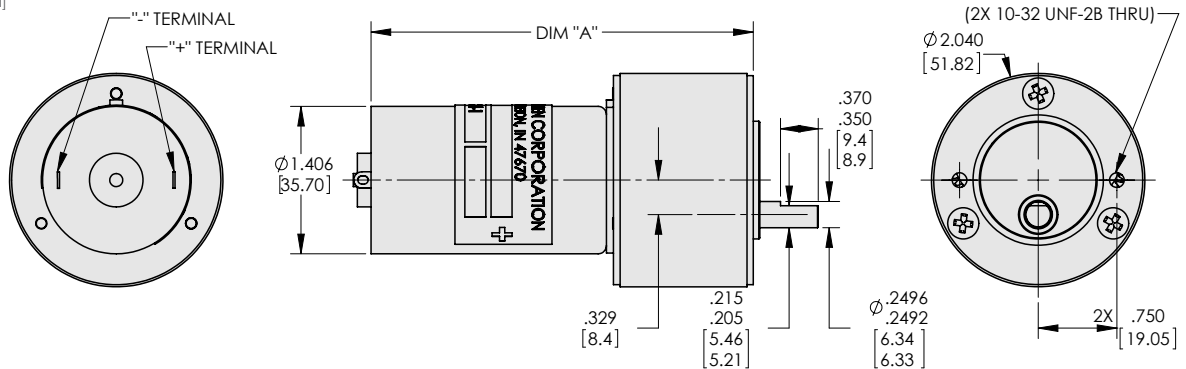
- Customized shafts
- Customized lead harnesses
- Custom mounting
- Voltage ranges to 24VDC
 - Spur
 - 12:1; 48:1; 192:1; 768:1

TYPICAL APPLICATIONS:

- Printers
- Plotters
- Pumps
- Fans
- Cutting Tools
- Medical Devices
- Robotics
- Beverage Dispensing
- Gaming/Recreational Machines



INCH
[MM]



PART NUMBER	RATIO	VOLTS NOMINAL	NO LOAD SPEED	NO LOAD CURRENT	LOAD SPEED	LOAD TORQUE	LOAD CURRENT	"MAX. THEORETICAL TORQUE (* INDICATES GEARBOX LIMIT)			DIM "A" MAX INCH [mm]
			WNL	INL	W	TL	IL	IN-OZ	RPM	AMPS	
			RPM	AMPS	RPM	IN-OZ	AMPS	IN-OZ	REF.	REF.	
			NOM.	MAX.	NOM.	REF.	MAX.	REF.	REF.	REF.	
114-41226-12	12:1	12	220	0.4	150	58	1.0	190	STALL	2.0	3.7 [94]
114-41226-48	48:1		60	0.2	35	209	1.5	490	STALL	3.0	
114-41226-192	192:1		15	0.2	12	500	0.9	850*	10	2.0	
114-41226-768	768:1		4	0.1	3.6	500	0.3	850*	3.3	0.5	
114-42452-12	12:1	24	420	0.2	340	58	1.4	310	STALL	6.0	3.7 [94]
114-42452-48	48:1		125	0.2	100	209	1.4	850*	14	5.0	
114-42452-192	192:1		30	0.2	27	500	0.9	850*	24	1.5	
114-42452-768	768:1		8	0.2	6.6	500	0.4	850*	5.5	0.5	

Series 114-4 Part Numbering Example

