

STANDARD FEATURES:

- Reinforced plastic and metal gearing
- Hardened steel output shaft
- Reversible
- Speeds from 2250 to 120 revolutions per hour available

OPTIONAL FEATURES:

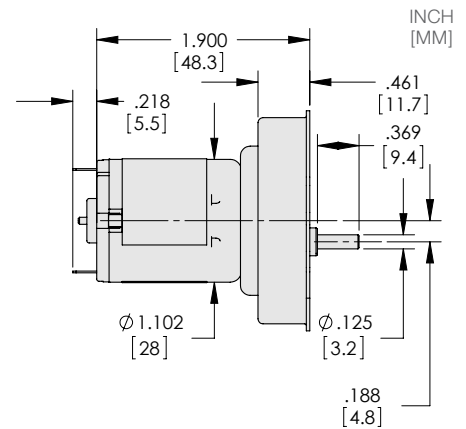
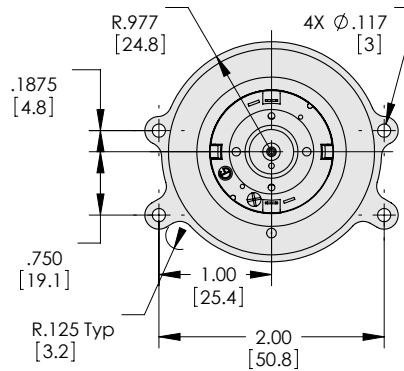
- Customized shafts
- Customized lead harnesses
- Gearboxes
 - Synchron Gearboxes
 - Round (Type "A" mount) (Series 148-6)
 - Pear (Type "C" mount) (Series 148-5)

TYPICAL APPLICATIONS:

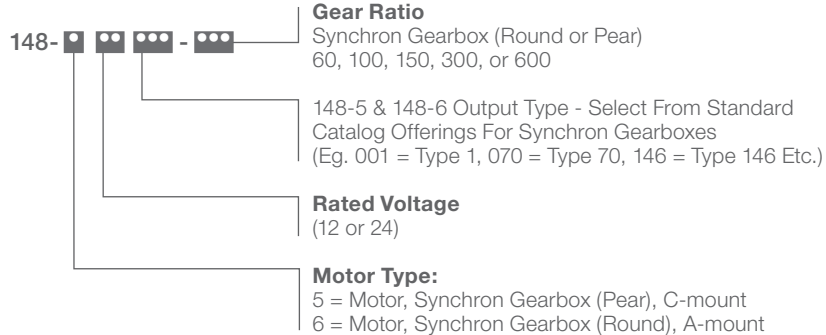
- Cutting Tools
- Medical Devices
- POP Displays
- Rotating Lighting
- Robotics
- Beverage Dispensing
- Gaming/Recreational Machines



Series 148-6



Series 148
Part Numbering
Example



Series 148-6

DC Gear Motor (A-mount)

Continued



PERFORMANCE

PART NUMBER	RATIO	VOLTS NOM	NO LOAD SPEED	NO LOAD CURRENT	LOAD SPEED	LOAD TORQUE	LOAD CURRENT	MAX. THEORETICAL TORQUE (* INDICATES GEARBOX LIMIT)			DIM "A" MAX INCH [mm]
			WNL	INL	W	TL	IL	IN-OZ	R.P.M.	AMPS	
			R.P.M.	AMPS	R.P.M.	IN-OZ	AMPS				
			NOM.	MAX.	NOM.	REF.	MAX.				
148-612001-60	60:1	12	57	0.06	32	11	0.12	22*	8	0.2	1.900 [48.3]
148-612001-100	100:1		34	0.06	25	19	0.13	38	STALL	0.2	
148-612001-150	150:1		23	0.06	12	27	0.13	54*	STALL	0.2	
148-612001-300	300:1		11	0.06	9	24	0.09	48*	7	0.2	
148-612001-600	600:1		6	0.06	5	32	0.08	64*	4	0.1	
148-624001-60	60:1	24	115	0.06	90	11	0.12	22*	65	0.2	
148-624001-100	100:1		70	0.06	51	19	0.13	53*	20	0.3	
148-624001-150	150:1		46	0.06	35	27	0.13	54*	24	0.2	
148-624001-300	300:1		23	0.06	21	24	0.09	48*	18	0.2	
148-624001-600	600:1		12	0.06	11	32	0.08	64*	10	0.1	