

**STANDARD FEATURES:**

- Rigid construction
- Motor and output sleeve bearings
- Variable lead positioning
- 130° C insulation
- Step angle accuracy range between  $\pm 5^\circ$  and  $\pm 1.0^\circ$
- Available with 50Hz windings

**OPTIONAL FEATURES:**

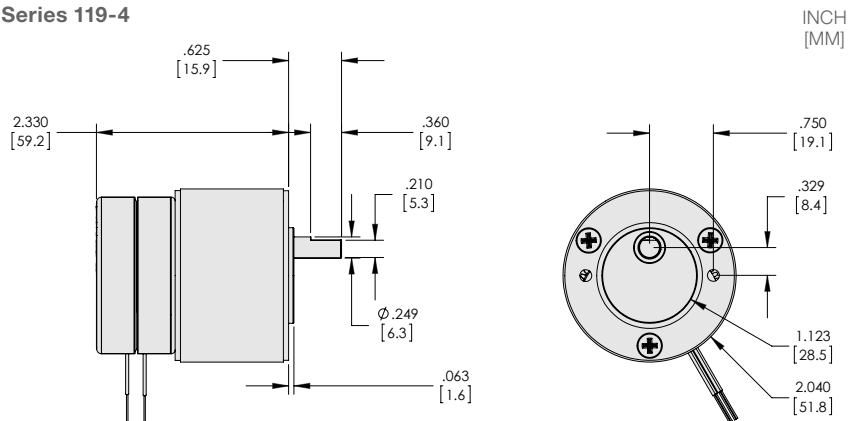
- Voltages up to 240V
- Custom leads and terminations
- Custom stepper motor outputs
- 4 ratios available (12:1; 48:1; 192:1; 768:1)
- Custom shafting
- Rear shaft extensions

**TYPICAL APPLICATIONS:**

- Medical Devices
- Instrument Control
- HVAC Control
- ATM Machine
- Robotic Controls
- Lighting Controls
- Voting Machine
- Sun Tracker
- Beverage Dispensing
- Video Games/Gaming Machine
- POP Displays



Series 119-4



**Series 119 Part Numbering Example**

119-□□□□

**Gear Ratio: (If Motor Type 1 - Leave Blank)**

Motor Type 2, 3, (5, 30, 100, 150, . . .)  
 Motor type 4 (12, 48, 192, 768 e.g. 012 = 12:1, 048 = 48:1, 192 = 192:1, 768 = 768:1)

**Wattage/Driver Type**

DC: 1 = Bipolar | 4 = Unipolar | 7 = Centertap  
 AC: 2 = 2W | 3 = 3.5W | 5 = 5W

**Motor Speed/Step Angle**

AC: 3 = 300 RPM | 6 = 600 RPM  
 DC: 5 = 15 Degrees | 7 = 7.5 Degrees

**Rated Voltage (5, 12, 24, 120, or 240)**

0 = 5VDC | 1 = 12VDC | 2 = 24VDC | 3 = 24VAC/50Hz | 4 = 24VAC/60Hz  
 5 = 120VAC/50Hz | 6 = 120VAC/60Hz | 7 = 240VAC/50Hz | 8 = 240VAC/60Hz

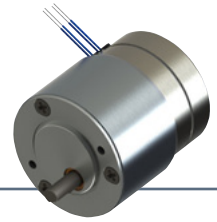
**Motor Type**

1 = Motor Only  
 2 = Motor + C Mount Gearbox - Shallow  
 3 = Motor + P Mount Gearbox - Deep  
 4 = Motor + 2" Gearbox

# Series 119-4

## Size 19 Step Gear Motor (2" gearbox)

Continued



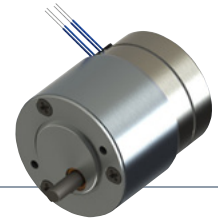
### SERIES 119 - 1.9 IN. AC STEPPER 2 IN. GEAR MOTOR

MOTOR PART NUMBER	VOLTAGE VAC	FREQUENCY HZ	INPUT POWER W	SPEED RPM	GEAR RATIO	CAPACITOR MF	CONTINUOUS TORQUE IN-OZ	INTERMITTENT TORQUE IN-OZ
119-4462012	24	60	2	50	12	5.0	100.0	200
119-4462048	24	60	2	12.5	48	5.0	100.0	200
119-4462192	24	60	2	3.1	192	5.0	350.0	700
119-4463012	24	60	3.5	50	12	8.0	100.0	200
119-4463048	24	60	3.5	12.5	48	8.0	100.0	200
119-4463192	24	60	3.5	3.1	192	8.0	350.0	700
119-4465012	24	60	5	50	12	12.0	100.0	200
119-4465048	24	60	5	12.5	48	12.0	100.0	200
119-4465192	24	60	5	3.1	192	12.0	350.0	700
119-4432012	24	60	2	25	12	5.0	100.0	200
119-4432048	24	60	2	6.25	48	5.0	100.0	200
119-4432192	24	60	2	1.6	192	5.0	350.0	700
119-4433012	24	60	3.5	25	12	8.0	100.0	200
119-4433048	24	60	3.5	6.25	48	8.0	100.0	200
119-4433192	24	60	3.5	1.6	192	8.0	350.0	700
119-4435012	24	60	5	25	12	12.0	100.0	200
119-4435048	24	60	5	6.25	48	12.0	100.0	200
119-4435192	24	60	5	1.6	192	12.0	350.0	700
119-4662012	120	60	2	50	12	0.22	100.0	200
119-4662048	120	60	2	12.5	48	0.22	100.0	200
119-4662192	120	60	2	3.1	192	0.22	350.0	700
119-4663012	120	60	3.5	50	12	0.33	100.0	200
119-4663048	120	60	3.5	12.5	48	0.33	100.0	200
119-4663192	120	60	3.5	3.1	192	0.33	350.0	700
119-4665012	120	60	5	50	12	0.47	100.0	200
119-4665048	120	60	5	12.5	48	0.47	100.0	200
119-4665192	120	60	5	3.1	192	0.47	350.0	700
119-4632012	120	60	2	25	12	0.22	100.0	200
119-4632048	120	60	2	6.25	48	0.22	100.0	200
119-4632192	120	60	2	1.6	192	0.22	350.0	700
119-4633012	120	60	3.5	25	12	0.33	100.0	200
119-4633048	120	60	3.5	6.25	48	0.33	100.0	200
119-4633192	120	60	3.5	1.6	192	0.33	350.0	700
119-4635012	120	60	5	25	12	0.47	100.0	200
119-4635048	120	60	5	6.25	48	0.47	100.0	200
119-4635192	120	60	5	1.6	192	0.47	350.0	700
119-4862012	240	60	2	50	12	0.068	100.0	200
119-4862048	240	60	2	12.5	48	0.068	100.0	200
119-4862192	240	60	2	3.1	192	0.068	350.0	700
119-4863012	240	60	3.5	50	12	0.082	100.0	200
119-4863048	240	60	3.5	12.5	48	0.082	100.0	200
119-4863192	240	60	3.5	3.1	192	0.082	350.0	700
119-4865012	240	60	5	50	12	0.15	100.0	200
119-4865048	240	60	5	12.5	48	0.15	100.0	200
119-4865192	240	60	5	3.1	192	0.15	350.0	700
119-4832012	240	60	2	25	12	0.082	100.0	200
119-4832048	240	60	2	6.25	48	0.082	100.0	200
119-4832192	240	60	2	1.6	192	0.082	350.0	700
119-4833012	240	60	3.5	25	12	0.082	100.0	200
119-4833048	240	60	3.5	6.25	48	0.082	100.0	200
119-4833192	240	60	3.5	1.6	192	0.082	350.0	700
119-4835012	240	60	5	25	12	0.15	100.0	200
119-4835048	240	60	5	6.25	48	0.15	100.0	200
119-4835192	240	60	5	1.6	192	0.15	350.0	700

# Series 119-4

## Size 19 Step Gear Motor (2" gearbox)

Continued



119-4

Size 19 Step Gear Motor (2" gearbox)

### SERIES 119 - 1.9 IN. DC STEPPER 2 IN. GEAR MOTOR

MOTOR PART NUMBER	VOLTAGE VAC	DRIVE TYPE	STEP ANGLE (°)	SPEED RPM @ 100PPS	GEAR RATIO	CONTINUOUS TORQUE IN-OZ	INTERMITTENT TORQUE IN-OZ
119-4254012	24	Unipolar	15	25.0	12	100.0	200
119-4254048	24	Unipolar	15	6.3	48	100.0	200
119-4254192	24	Unipolar	15	1.6	192	350.0	700
119-4274012	24	Unipolar	7.5	12.5	12	100.0	200
119-4274048	24	Unipolar	7.5	3.1	48	100.0	200
119-4274192	24	Unipolar	7.5	0.8	192	350.0	700
119-4251012	24	Bipolar	15	25.0	12	100.0	200
119-4251048	24	Bipolar	15	6.3	48	100.0	200
119-4251192	24	Bipolar	15	1.6	192	350.0	700
119-4271012	24	Bipolar	7.5	12.5	12	100.0	200
119-4271048	24	Bipolar	7.5	3.1	48	100.0	200
119-4271192	24	Bipolar	7.5	0.8	192	350.0	700