

STANDARD FEATURES:

- Rigid construction
- Motor and output sleeve bearings
- Variable lead positioning
- 130° C insulation
- Step angle accuracy range between $\pm 5^\circ$ and $\pm 1.0^\circ$
- Available with 50Hz windings

OPTIONAL FEATURES:

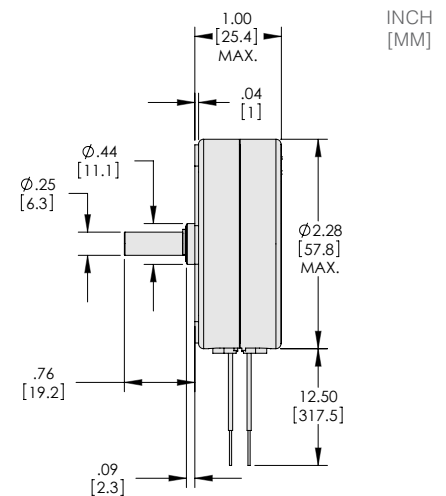
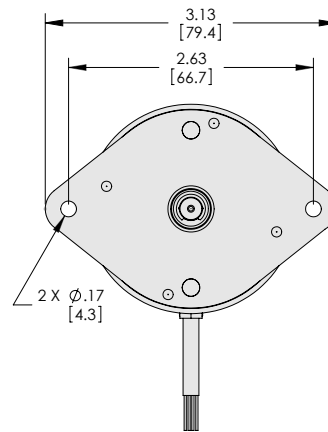
- Voltages up to 240V
- Ball bearings
- Custom leads and terminations
- Custom stepper motor outputs
- Custom mounting
- Custom shafting
- Rear shaft extensions

TYPICAL APPLICATIONS:

- Medical Devices
- Instrument Control
- HVAC Control
- ATM Machine
- Robotic Controls
- Lighting Controls
- Voting Machine
- Sun Tracker
- Beverage Dispensing
- Video Games/Gaming Machine
- POP Displays



Series 123-1



Series 123 Part Numbering Example

123-□□□□□

Gear Ratio: (If Motor Type 1 - Leave Blank)

Motor Type 4 (12, 48, 192, e.g. 012 = 12:1, 192 = 192:1)

Wattage/Driver Type

DC: 1 = Bipolar | 4 = Unipolar | 7 = Centertap
AC: 6 = 6W | 8 = 8W | 0 = 10W | 2 = 12W

Motor Speed/Step Angle

AC: 3 = 300 RPM | 6 = 600 RPM
DC: 5 = 15 Degrees | 7 = 7.5 Degrees

Rated Voltage (5, 12, 24, 120, or 240)

0 = 5VDC | 1 = 12VDC | 2 = 24VDC | 3 = 24VAC/50Hz | 4 = 24VAC/60Hz
5 = 120VAC/50Hz | 6 = 120VAC/60Hz | 7 = 240VAC/50Hz | 8 = 240VAC/60Hz

Motor Type

1 = Motor Only
4 = Motor + 2" Gearbox

Series 123-1

Size 23 Step Motor

Continued



SIZE 23 DC STEP MOTOR

MOTOR PART NUMBER	VOLTAGE VDC	DRIVE TYPE	STEP ANGLE (°)	HOLDING TORQUE IN-OZ	DETENT TORQUE IN-OZ	STEP TIME MS	ROTOR INERTIA MOISS	RESISTANCE PER PHASE (Ω)	INDUCTANCE PER PHASE MH	VOLTAGE CONSTANT V/KRPM	PULL OUT TORQUE VS RATE IN-OZ/PPS	PULL IN TORQUE VS RATE IN-OZ/PPS
123-1154	12	Unipolar	15.0	9.0	0.92	7.3	0.490	35.5	50.2	28.7	6.2 - (0.017*PPS)	4.5 - (0.018*PPS)
123-1151	12	Bipolar	15.0	14.5	0.80	7.6	0.490	17.5	57.7	30.6	11.9 - (0.030*PPS)	10.5 - (0.030*PPS)
123-1174	12	Unipolar	7.5	11.5	1.00	4.2	0.490	35.0	57.9	39.2	8.3 - (0.018*PPS)	5.5 - (0.015*PPS)
123-1171	12	Bipolar	7.5	15.0	1.25	5.4	0.490	17.5	66.8	40.8	14.0 - (0.031*PPS)	11.4 - (0.025*PPS)
123-1254	24	Unipolar	15.0	9.0	0.92	10.0	0.490	140.0	200.8	57.4	6.2 - (0.017*PPS)	4.5 - (0.018*PPS)
123-1251	24	Bipolar	15.0	14.5	0.80	10.5	0.490	72.5	253.3	64.1	11.9 - (0.030*PPS)	10.5 - (0.030*PPS)
123-1271	24	Bipolar	7.5	15.0	1.25	7.0	0.490	72.5	293.2	85.5	14.0 - (0.031*PPS)	11.4 - (0.025*PPS)
123-1274	24	Unipolar	7.5	11.5	1.00	6.0	0.490	140.0	231.6	78.4	8.3 - (0.018*PPS)	5.5 - (0.015*PPS)

SIZE 23 AC STEP MOTOR

MOTOR PART NUMBER	VOLTAGE VAC	FREQUENCY HZ	INPUT POWER W	SPEED RPM	START TORQUE IN-OZ	STALL TORQUE IN-OZ	CAPACITOR MF
123-1436	24	60	6	300	6.1	9.1	12.5
123-1438	24	60	8	300	7.4	10.5	17.0
123-1430	24	60	10	300	8.2	11.3	22.0
123-1432	24	60	12	300	8.7	12.0	26.0
123-1466	24	60	6	600	2.5	6.5	12.5
123-1468	24	60	8	600	3.4	7.0	17.0
123-1460	24	60	10	600	5.8	7.5	22.0
123-1462	24	60	12	600	6.6	8.2	26.0
123-1636	120	60	6	300	6.1	9.1	0.50
123-1638	120	60	8	300	7.4	10.5	0.70
123-1630	120	60	10	300	8.2	11.3	0.90
123-1632	120	60	12	300	8.7	12.0	1.00
123-1666	120	60	6	600	2.5	6.5	0.47
123-1668	120	60	8	600	3.4	7.0	0.68
123-1660	120	60	10	600	5.8	7.5	0.85
123-1662	120	60	12	600	6.6	8.2	1
123-1836	240	60	6	300	6.1	9.1	0.1
123-1838	240	60	8	300	7.4	10.5	0.18
123-1830	240	60	10	300	8.2	11.3	0.22
123-1832	240	60	12	300	8.7	12.0	0.27
123-1866	240	60	6	600	2.5	6.5	0.1
123-1868	240	60	8	600	3.4	7.0	0.18
123-1860	240	60	10	600	5.8	7.5	0.22
123-1862	240	60	12	600	6.6	8.2	0.27